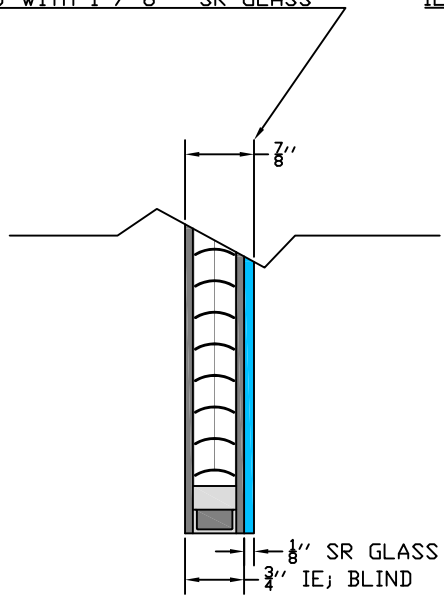
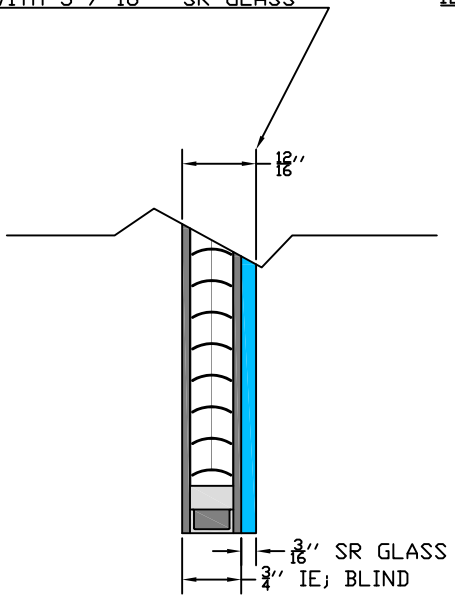


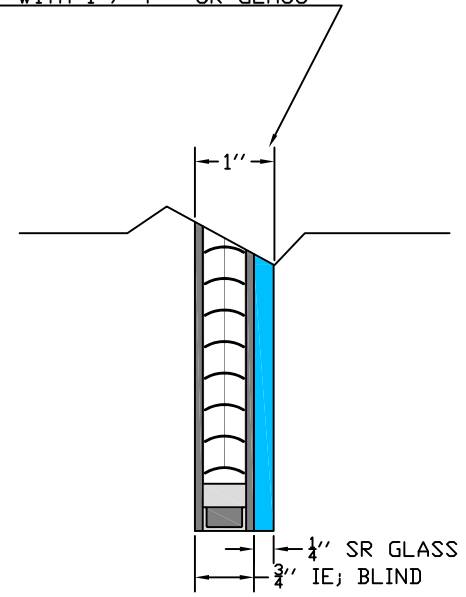
IE; BLIND WITH 1 / 8 " SR GLASS



IE; BLIND WITH 3 / 16 " SR GLASS



IE; BLIND WITH 1 / 4 " SR GLASS



CLASSIFICATION



<p>\\TERRELLGLASSVR\RedirectedFolders\rita\My Documents\My Pictures\IEBLINDS.jpg</p>	20 MIN. SMOKE RATED GLASS WITH INTEGRAL BLINDS		NOTES: GLASS SIZES
	PARILUSE LLC ALL RIGHTS RESERVED		$\frac{1}{8}$ , $\frac{3}{16}$ , & $\frac{1}{4}$
	©IE; BLINDS and RAL & Associates, Inc.		SCALE: NONE
	P.O. Box 442 • Ben Wheeler, TX 75754 • 866-267-1917		REVISION DATE: 5/21/14
	PATENT 2,465,968	www.ieblinds.com	