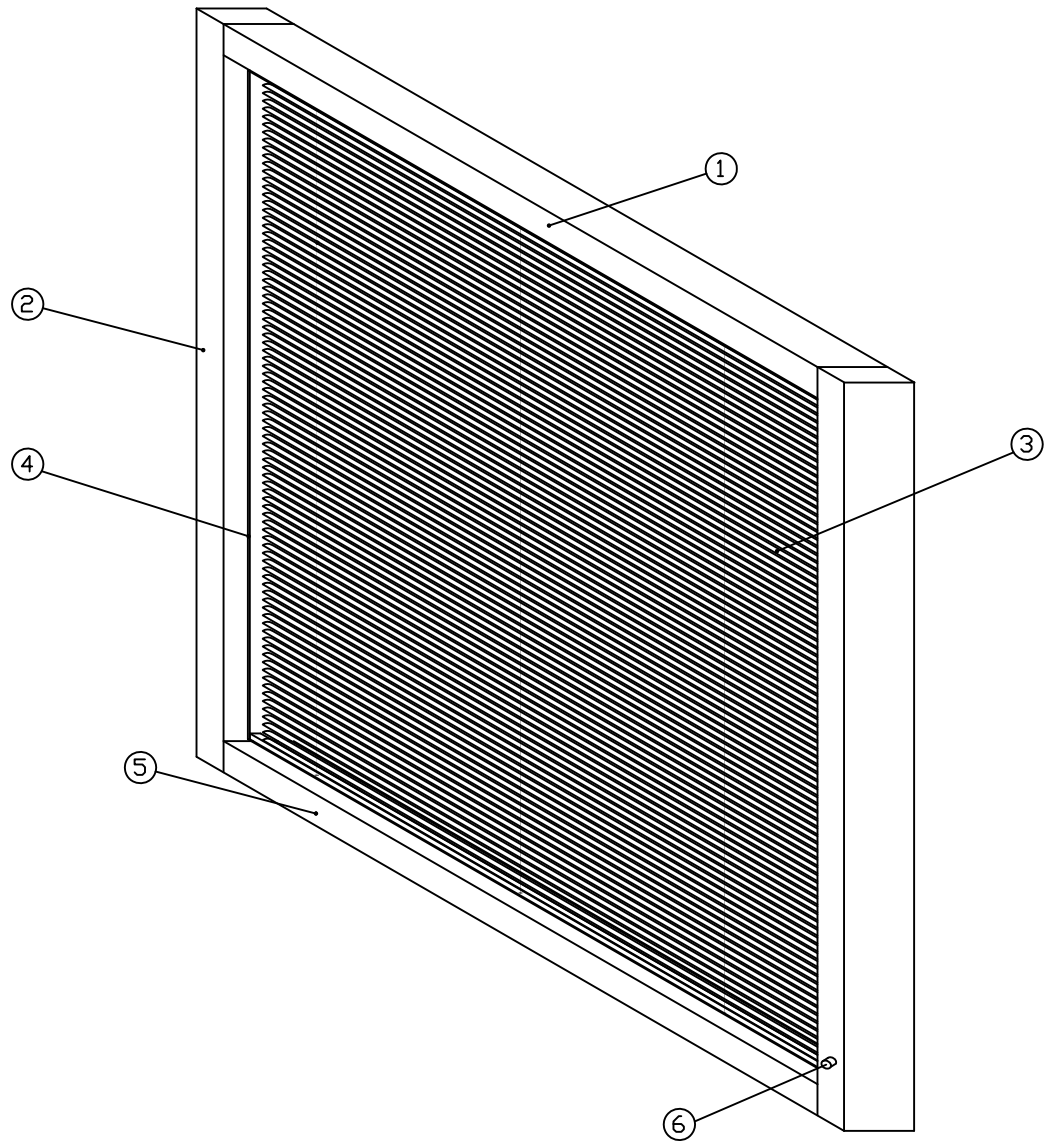


**INDEX:**

- ① Top Header 2" Aluminium
- ② Side Jamb 2" Aluminium
- ③ 5/8" Micro Blind Assembly
- ④ 1/8" Tempered Clear Glass
- ⑤ Bottom Header 2" Aluminium
- ⑥ Control Knob



IE; BLIND ASSEMBLY ALUMINUM FRAME APPLICATION-ISOMETRIC

PARILUSE LLC ALL RIGHTS RESERVED

©IE; BLINDS and RAL & Associates, Inc.

P.O. Box 442 • Ben Wheeler, TX 75754 • 866-267-1917

PATENT 2,465,968

[www.ieblinds.com](http://www.ieblinds.com)

**NOTES:**

ALUMINUM FRAME PROVIDED BY OTHERS

SCALE: NONE

REVISION DATE: 5/16/14