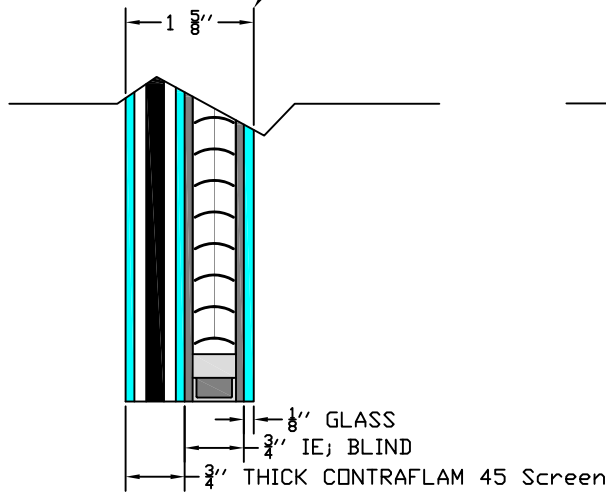
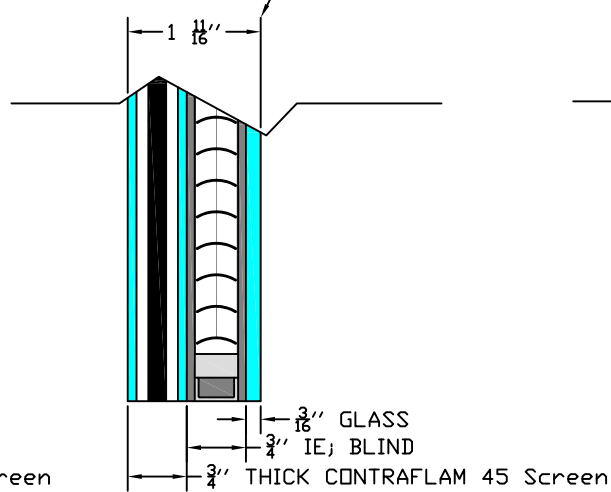


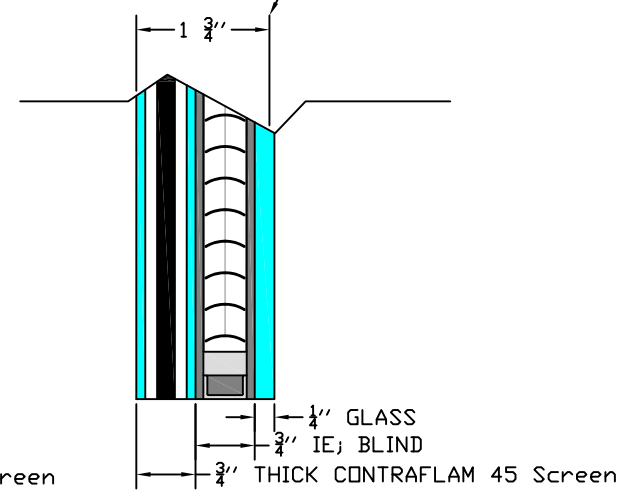
FR-45 WITH 1 / 8 GLASS



FR-45 WITH 3 / 16 GLASS



FR-45 WITH 1 / 4 GLASS



CLASSIFICATION



FIRE-RATED CLEAR SAFETY GLASS WITH INTEGRAL BLINDS
IE; BLINDS FR 45 (CONTRAFLAM)

PARILUSE LLC ALL RIGHTS RESERVED

©IE; BLINDS and RAL & Associates, Inc.

P.O. Box 442 • Ben Wheeler, TX 75754 • 866-267-1917

PATENT 2,465,968

www.ieblinds.com

NOTES: GLASS SIZES

1/8, 3/16, & 1/4

SCALE: NONE

REVISION DATE: 5/21/14