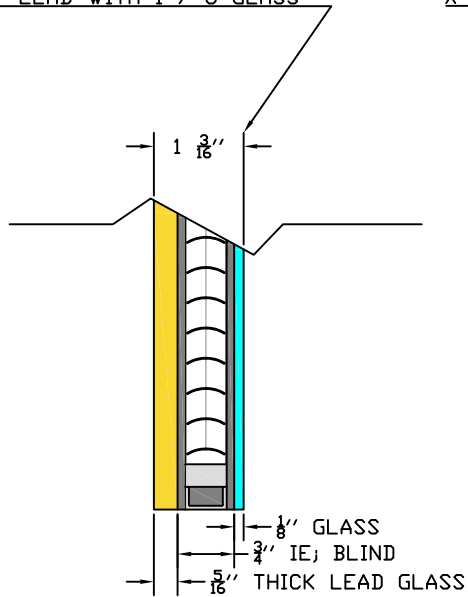
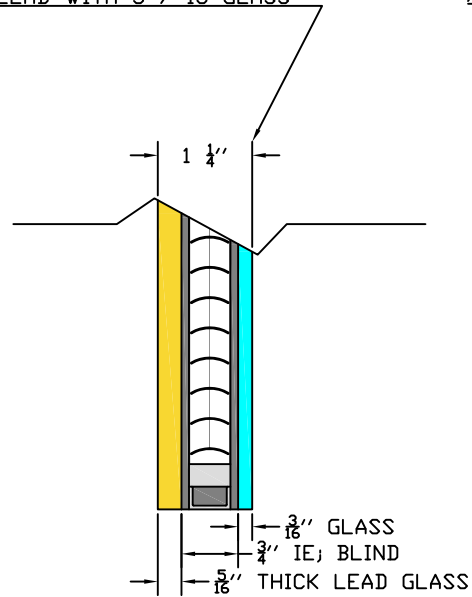


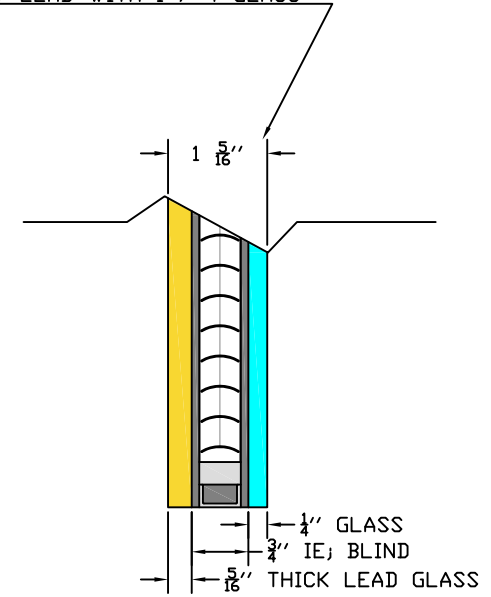
X-RAY LEAD WITH 1 / 8 GLASS



X-RAY LEAD WITH 3 / 16 GLASS



X-RAY LEAD WITH 1 / 4 GLASS



CLASSIFICATION



TECHNICAL DATA X-RAY LEAD GLASS WITH IE; BLIND UNIT

NOTES: GLASS SIZES

PARILUSE LLC ALL RIGHTS RESERVED

PATENT 2,465,968

$\frac{1}{8}$, $\frac{3}{16}$, & $\frac{1}{4}$

©IE; BLINDS and RAL & Associates, Inc.

SCALE: NONE

P.O. Box 442 • Ben Wheeler, TX 75754 • 866-267-1917

www.ieblinds.com

REVISION DATE: 5/21/14

