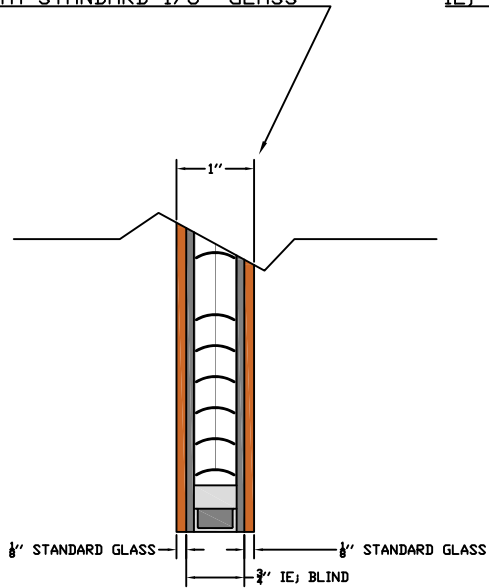
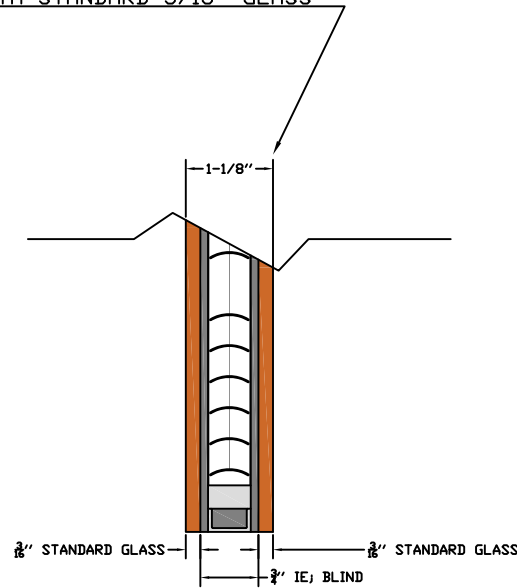


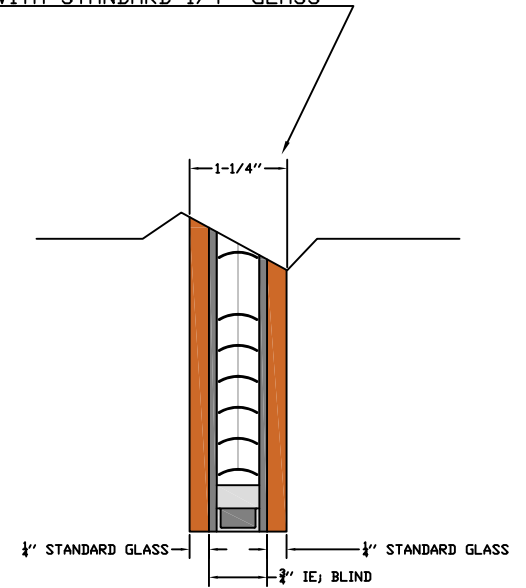
IE; BLIND WITH STANDARD 1/8" GLASS



IE; BLIND WITH STANDARD 3/16" GLASS



IE; BLIND WITH STANDARD 1/4" GLASS



CLASSIFICATION



STANDARD GLASS WITH INTEGRAL BLINDS UNIT

PARILUSE LLC ALL RIGHTS RESERVED

©IE; BLINDS and RAL & Associates, Inc.

P.O. Box 442 • Ben Wheeler, TX 75754 • 866-267-1917

PATENT 2,465,968

www.ieblinds.com

NOTES: GLASS SIZES

1/8" 3/16" 1/4"

SCALE: NONE

REVISION DATE: 5/21/14