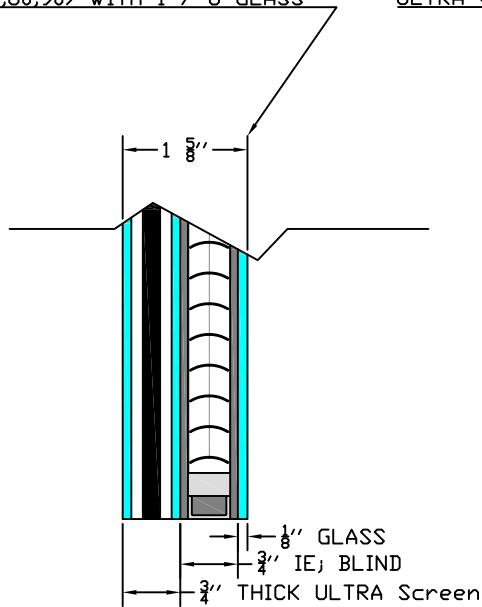
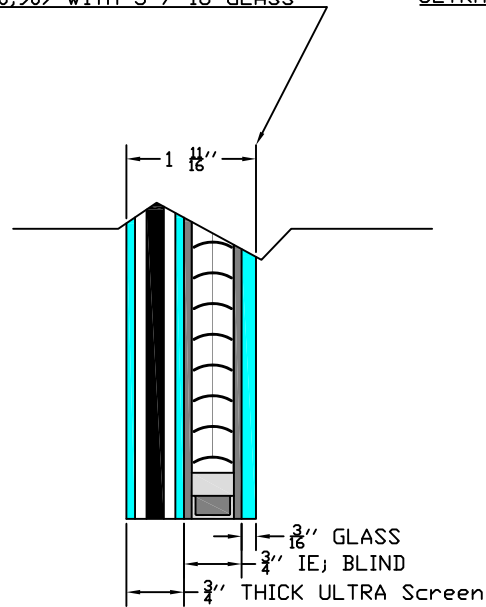


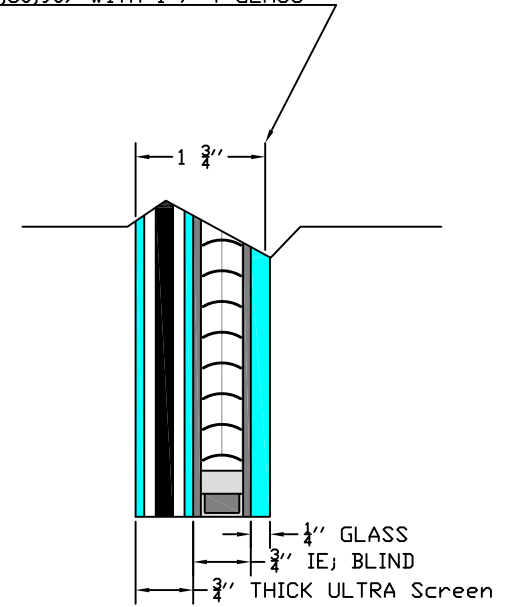
ULTRA (45,60,90) WITH 1 / 8 GLASS



ULTRA (45,60,90) WITH 3 / 16 GLASS



ULTRA (45,60,90) WITH 1 / 4 GLASS



CLASSIFICATION



FIRE-RATED CLEAR SAFETY GLASS CERAMIC WITH INTEGRAL BLINDS
IE; BLINDS ULTRA 45, 60, & 90 (KERALITE)

NOTES: GLASS SIZES

1/8, 3/16, & 1/4

PARILUSE LLC ALL RIGHTS RESERVED

PATENT 2,465,968

SCALE: NONE

©IE; BLINDS and RAL & Associates, Inc.

P.O. Box 442 • Ben Wheeler, TX 75754 • 866-267-1917

www.ieblinds.com

REVISION DATE: 5/21/14

